

Mueller Magic Box

2006 World Gas Conference

Bryan J. Kortte
Product Manager-Gas Division
Mueller Co.



Mueller Magic Box

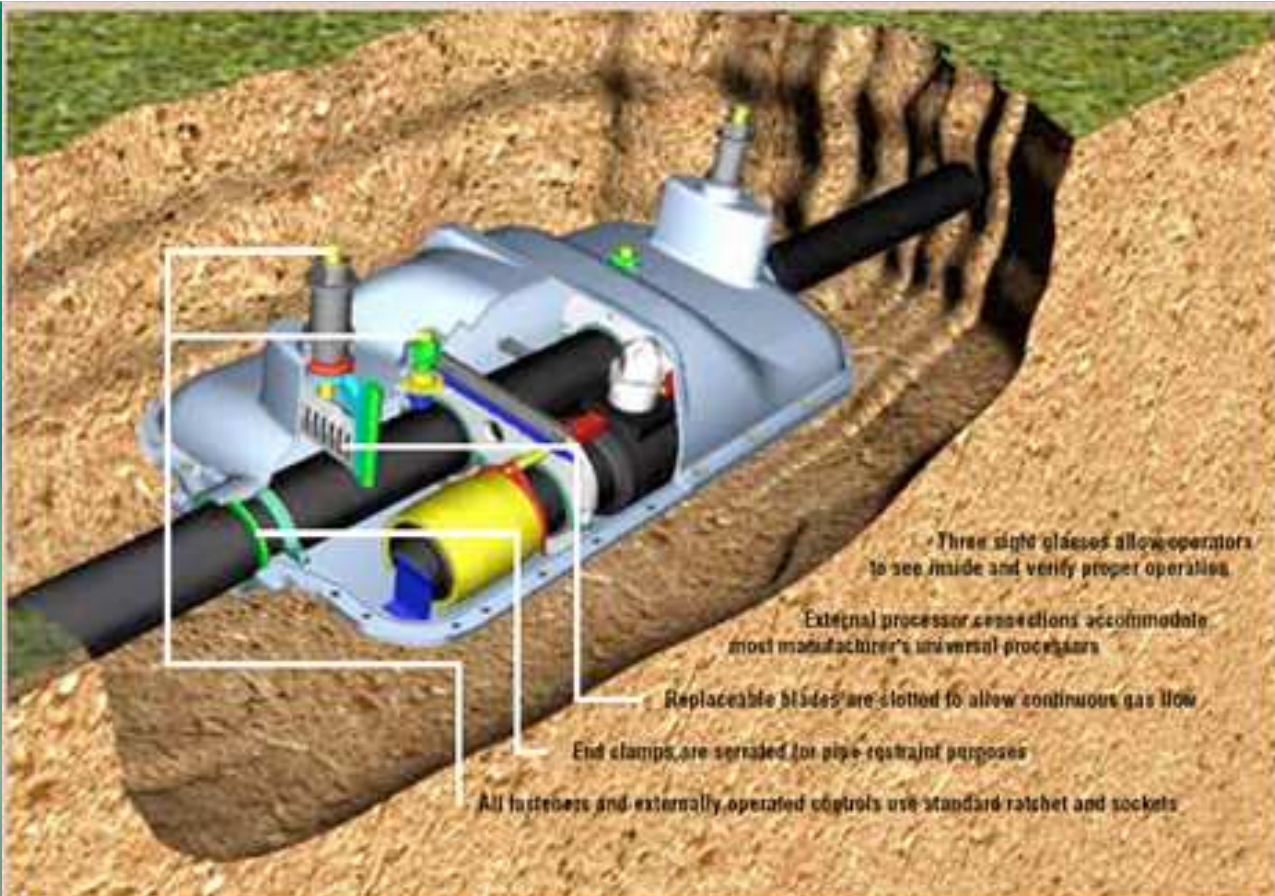
In-Service Polyethylene Insertion Machine

The Mueller Magic Box System is the first self-contained machine that let's you work on polyethylene plastic gas mains from a single excavation site without the need for squeezing and building a temporary bypass line.



Mueller Magic Box

- Install polyethylene ball valves
- Remove a bad joint
- Remove leaking service connections
- Replace a damaged section of pipe
- Maximum working pressure 100 PSI/6.90 BAR
- Pipe Sizes-2", 3", 4"
 - 63mm, 75mm, 90mm, 110mm



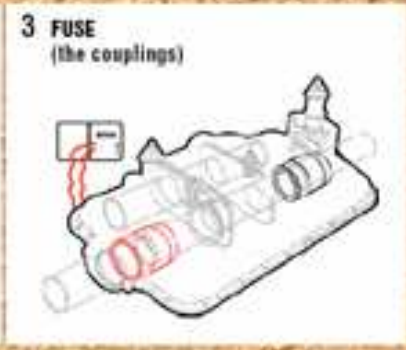
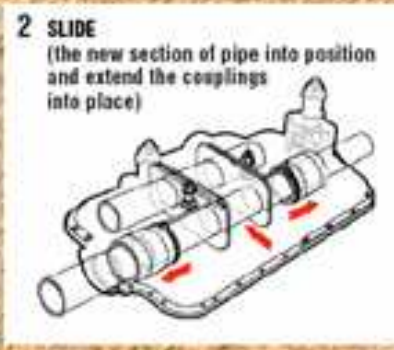
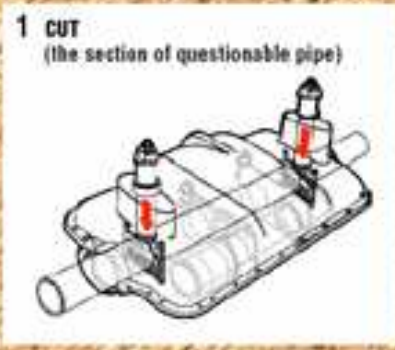
• Three sight glasses allow operators to see inside and verify proper operation

External processor connections accommodate most manufacturer's universal processors

Replaceable blades are slotted to allow continuous gas flow

End clamps are serrated for pipe restraint purposes

All fasteners and externally operated controls use standard ratchet and sockets



New Service to Customer

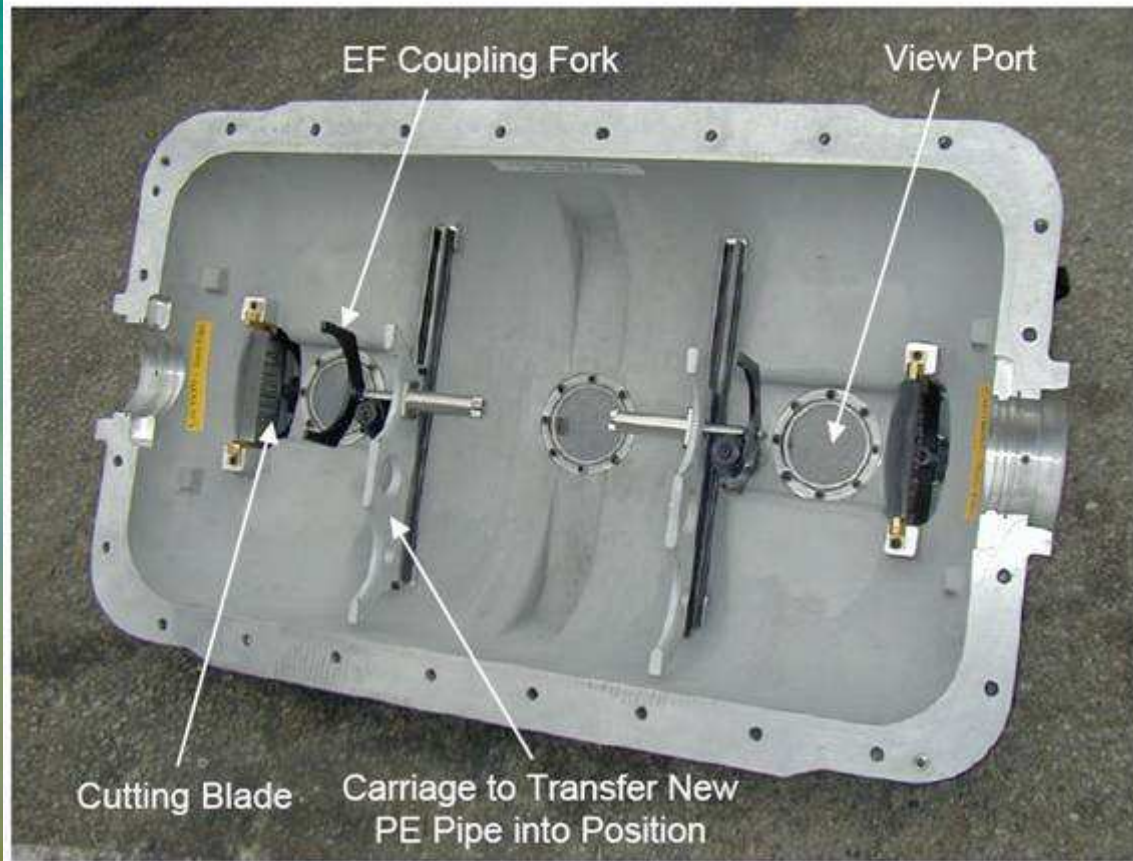


Replace Section of 4" Aldyl-A Pipe for
4"x2" Branch Saddle Installation

Measure & Scrape Gas Main



Upper Housing Components



End Seals



Install Upper Housing & Tighten Bolts



Completed Job
New Pipe Ready for 4"x2" Branching Saddle

